

WESTBOROUGH HIGH SCHOOL

WESTBOROUGH, MASSACHUSETTS

- OWNER

Town of Westborough

- ARCHITECT

Design Partnership of Cambridge, Inc.

- CONSTRUCTION COST

\$30,000,000

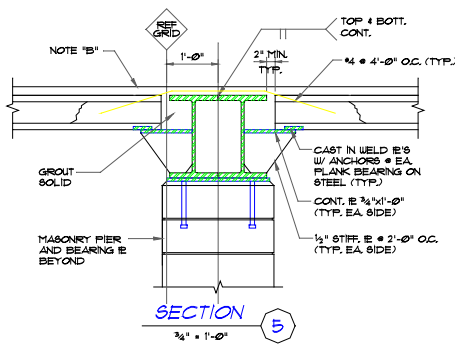
- GENERAL CONTRACTOR

TLT Construction Corporation



PROJECT DESCRIPTION

270,000 square foot addition and renovation to the existing concrete framed school building. To match the floor heights and the fire rating of the existing building and provide the durability required for a high school, a block and plank system was used. For some of the open areas with unique and open plan layouts, steel construction was used. A curving reinforced concrete column/beam moment frame system was designed for the exterior wall of the library as part of the lateral load resisting system. Precast, prestressed double-tee construction was used at the library roof to provide large, open areas. Super long span steel joists were used to frame the new gymnasium and auditorium roof.



DMBC
STRUCTURAL ENGINEERS
DM BERG CONSULTANTS, P.C.
SERVING THE INDUSTRY SINCE 1963

CONSULTING ENGINEERS
570 Hillside Avenue
Needham, MA
02494-1297
p 781 444-5156
f 781 444-5157
www.dmberg.com